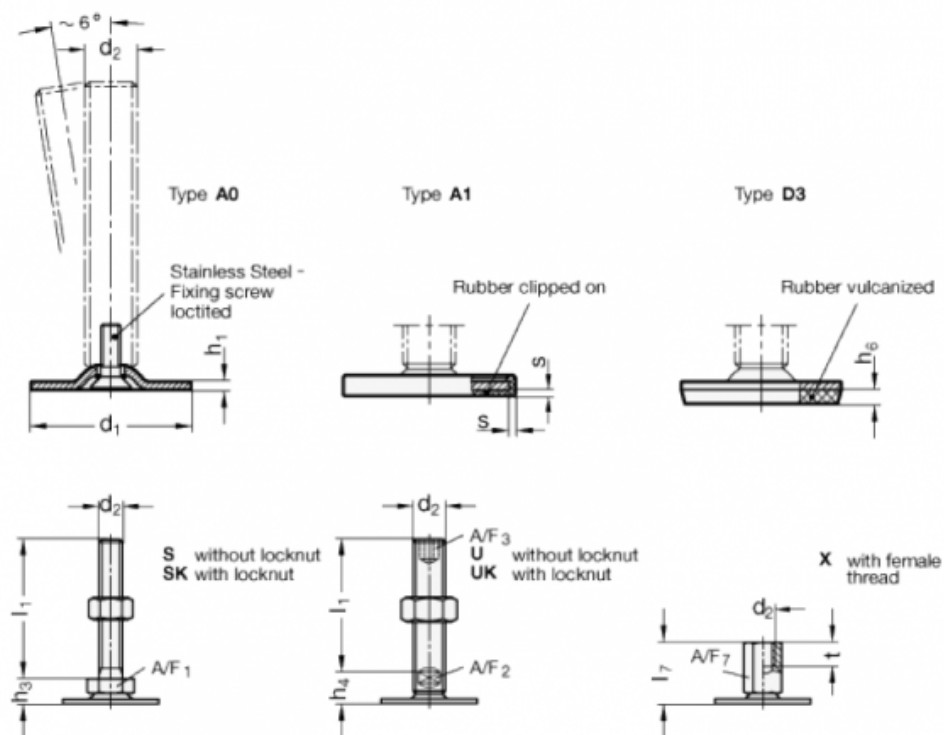


# Data Sheet



Article number: 204040M1260A0SK  
 Description: E+G levelling foot  
 GN 40-40-M12-60-A0-SK  
 Note: SK With nut, External hexagon at the bottom

## Measures



A/F1 = 17  
 d1 = 40  
 d2 = M12  
 h1 = 2  
 h3 = 11  
 h6 =  
 l1 = 60  
 s =